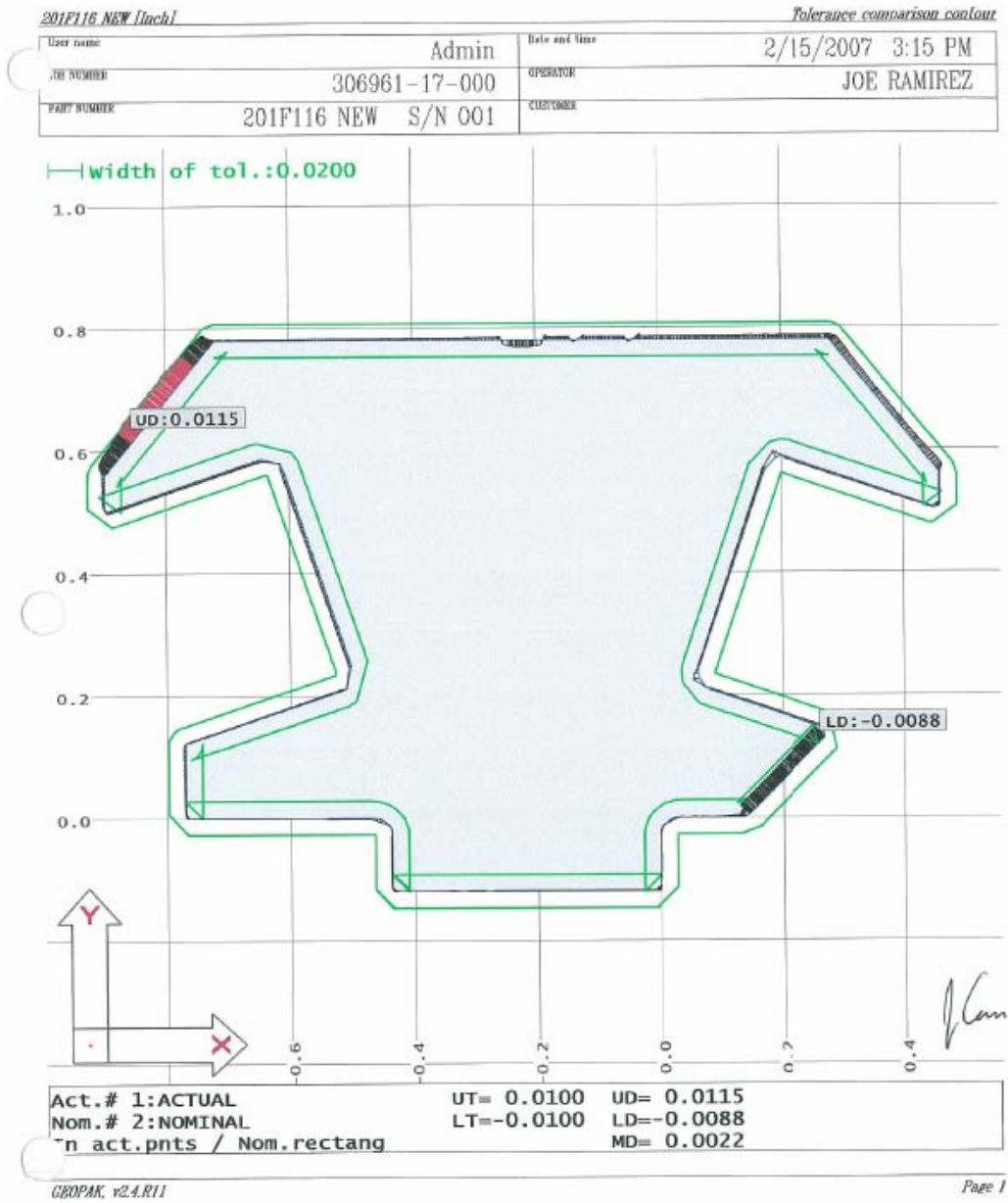
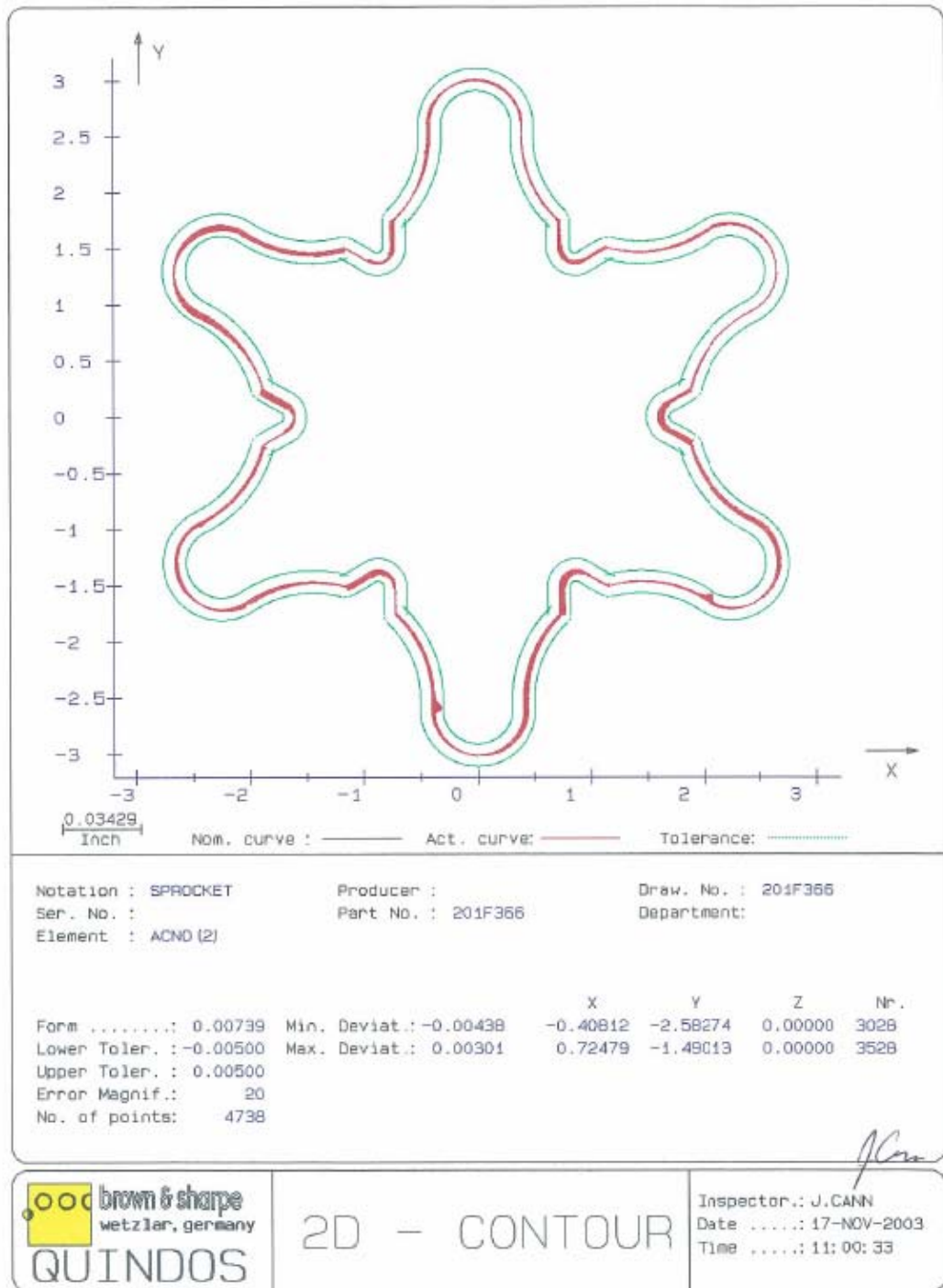


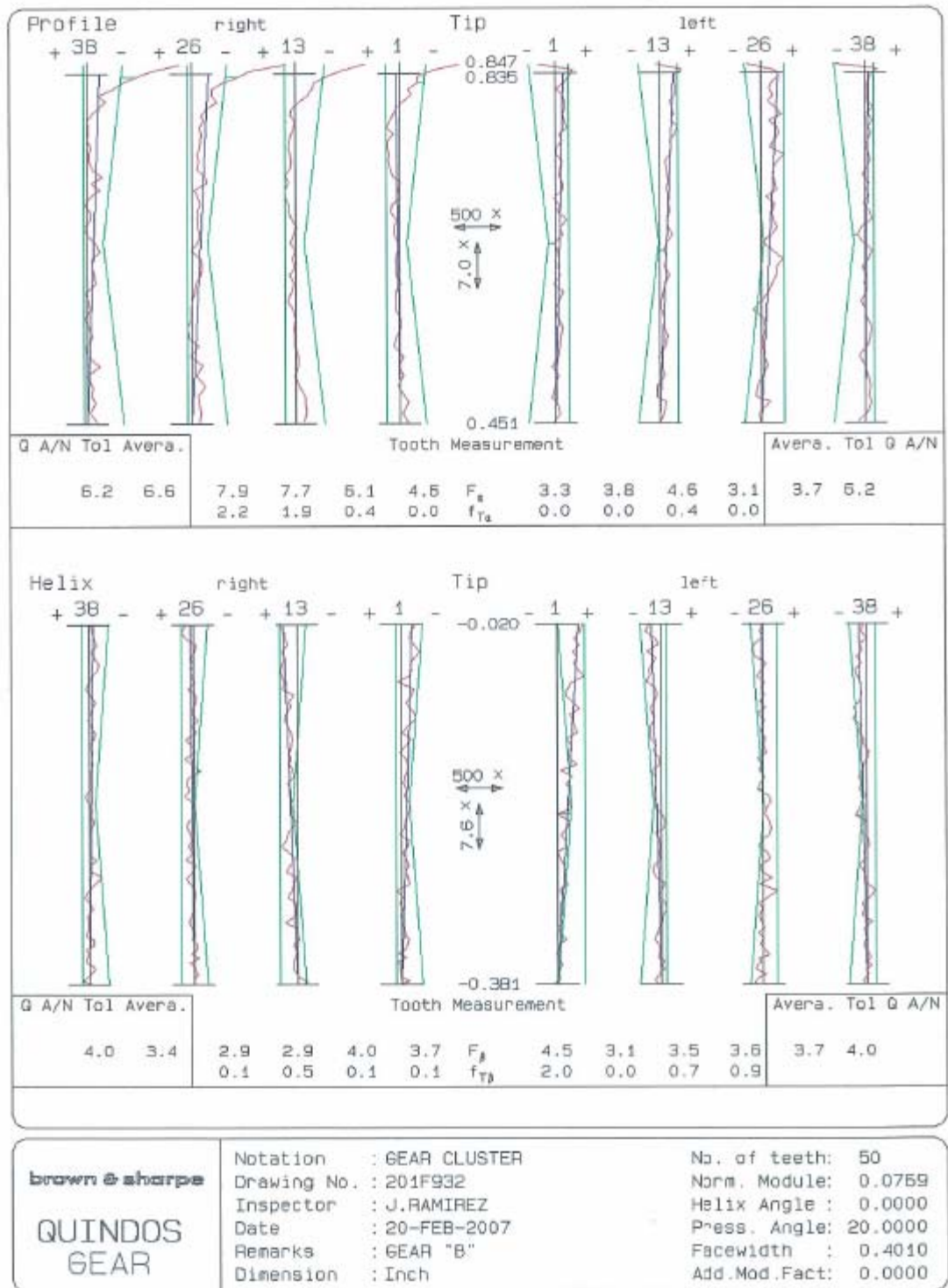
“Typical CMM Inspection Data



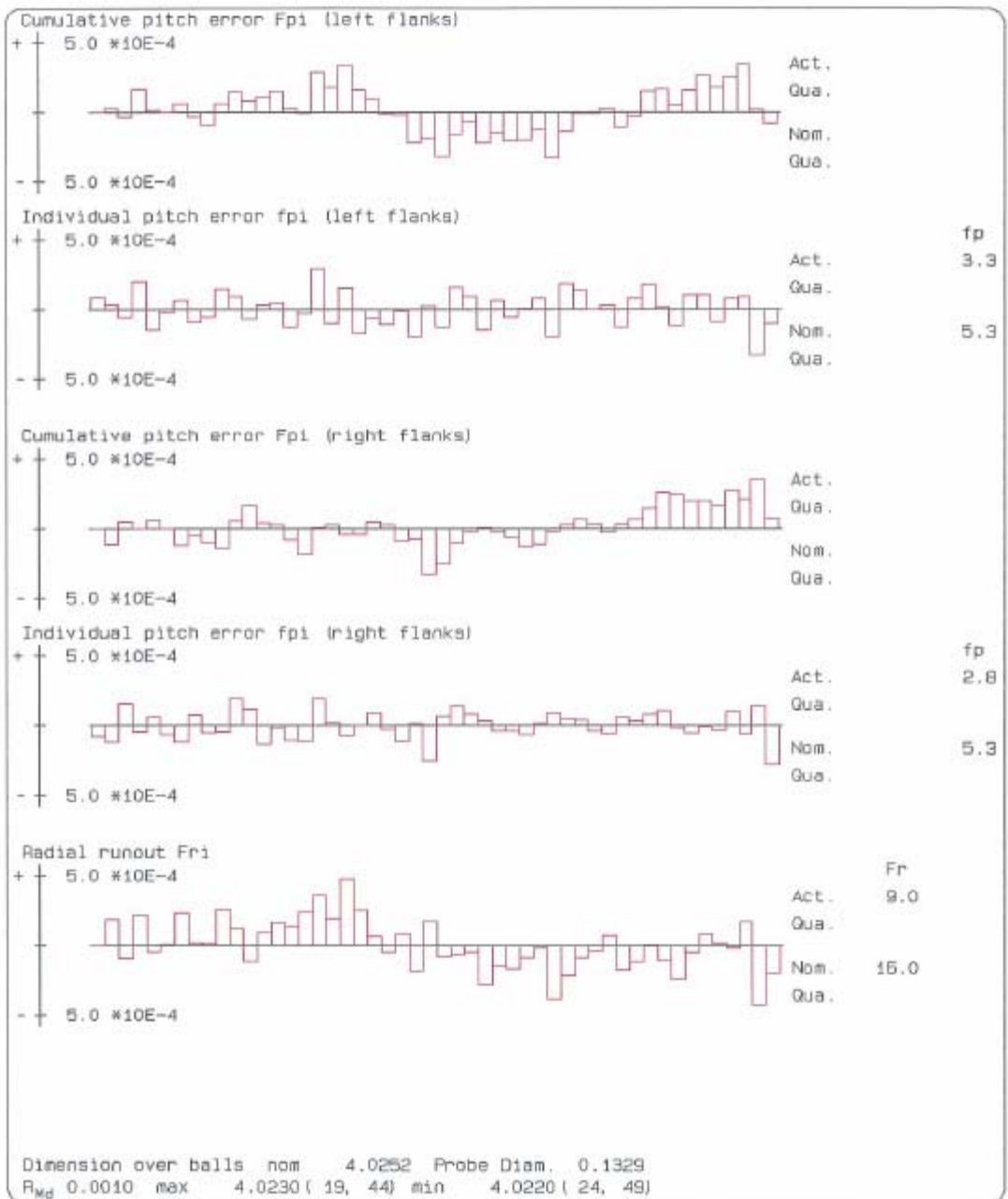
Profile inspection of 30mm Gun Track on Mitutoyo CMM



Profile inspection of Ammunition feeder sprocket on the Leitz CMM



Sample Gear plot showing Involute and Lead charts



brown & sharpe QUINDOS GEAR	Notation : GEAR CLUSTER	No. of teeth: 50
	Drawing No. : 201F932	Norm. Module: 0.0769
	Inspector : J.RAMIREZ	Helix Angle : 0.0000
	Date : 20-FEB-2007	Press. Angle: 20.0000
	Remarks : GEAR "B"	Facewidth : 0.4010
	Dimension : Inch	Add.Mod.Fact: 0.0000

Sample Gear plot showing Pitch evaluations.